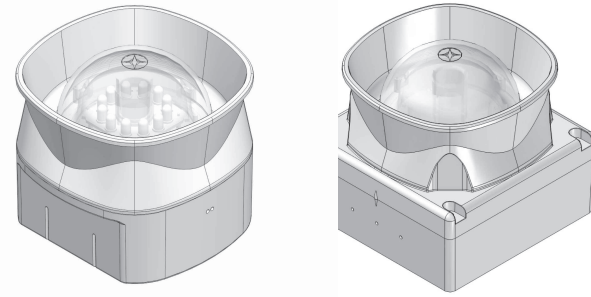




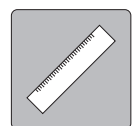
116-BBR-230  
116-BBQ-230



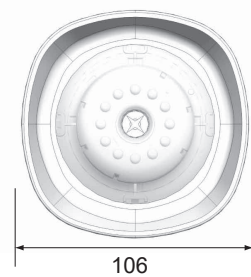
|  | 116-BBR-230                             | 116-BBR-230/IP           | 116-BBQ-230                             | 116-BBQ-230/IP                          |
|--|---|--------------------------|---|---|
|  | 17 ~ 25VDC                              |                          |   |   |
|  | LP - 2.2mA<br>HP - 4.4mA                | LP - 2.2mA<br>HP - 4.4mA | Strobe - 4.7mA*<br>Peak Current - 8.7mA | Strobe - 4.7mA*<br>Peak Current - 8.7mA |
|  | 0.5mm <sup>2</sup> ~ 2.5mm <sup>2</sup> |                          |   |   |
|  | -10°C ~ +55°C<br>(-15°C ~ +70°C**)      | -25°C ~ +70°C            |   | -25°C ~ +70°C                           |
|  | ABS / PC                                |                          |   |   |
|  | Type A / IP21C (IP42**)                 |                          |   |   |
|  | NA                                      | NA                       | 1Hz                                     | 1Hz                                     |

EN54-3:2001 Fire Alarm Devices - Sounders  
EN54-17:2005 Fire detection and fire alarm systems - Short  
Circuit Isolators  
EN54-23:2010 Fire Alarm Device - Visual Alarm Device  
Detailed EN54-3 Polar SPL Measurement are available in AFS  
doc BB-212  
Detailed EN54-23 VAD coverage data available in AFS  
doc BB-213

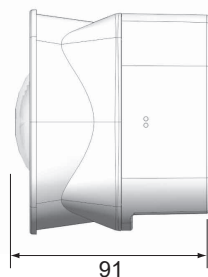
\*See 116-BBR-230 (IP) for Sounder only current  
\*\*Non EN54 certified, verified during additional marine  
testing.  
Isolate Specification ref: 082/4.2/005 Rev 1.3



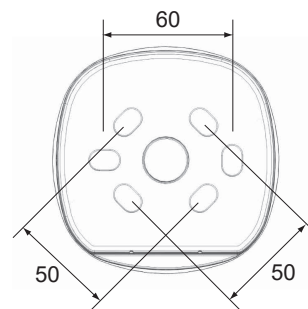
Non IP Products  
/ Icke-IP-produkter



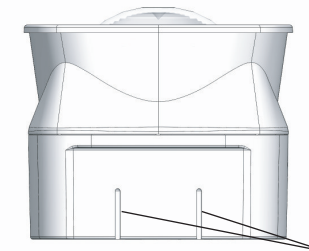
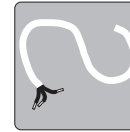
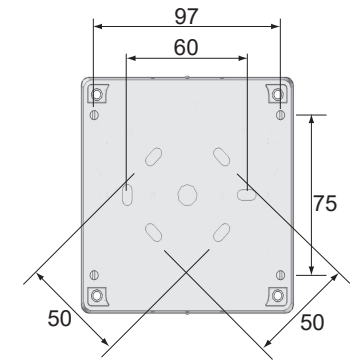
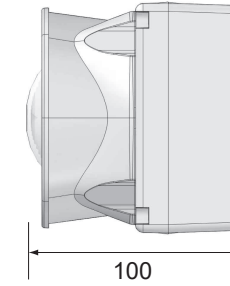
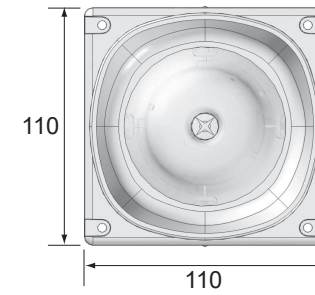
Drill the required  
mounting holes



Base Fixing Positions

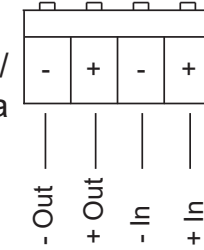


## IP Products / IP-produkter



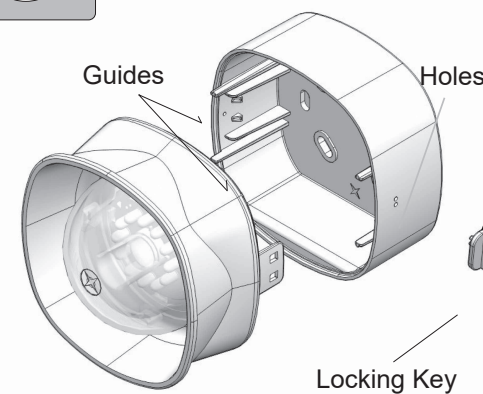
Ta bort baklådan från  
hornet och borra  
kabelgenomföringshål  
efter behov. Använd  
lämpliga körtlar för att  
upprätthålla inträn-  
gningskydd.  
Remove back box  
from horn and drill  
cable gland holes as  
required. Use appro-  
priate glands to  
maintain Ingress Protection.

Loop /  
Slinga

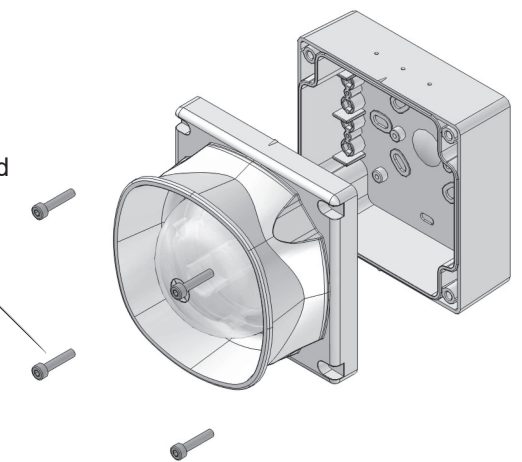


## Tones / Toner

| NO | Standard pattern / Standardmönster                            |
|----|---|
| 1  | General Alarm / Allmänt larm (800Hz, 1,0 sec pulse & 3,0 sec) |
| 2  | Evacuate / Evakuera (880Hz, 1 sec on/ 1 sec off, forever)     |
| 3  | Alert / Varna (880Hz 0,5 sec on, 3,5 sec off)                 |
| 4  | Bell Test / Klocktest (0,5 sec on every 8 sec)                |



To Un-lock use  
Allen Key provided



Supplier / Customer Support  
Autronica Fire and Security  
N-7047 Trondheim, Norway  
See Website - [www.autronicafire.no](http://www.autronicafire.no)

Manufacturer. Eaton Electrical Products Ltd.  
Cwmbran, S. Wales. UK - [www.eaton.com](http://www.eaton.com)

25-9433-J