

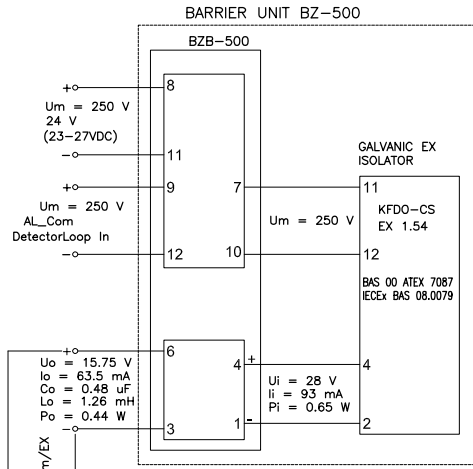
All rights reserved. Specifications subject to change without notice.

Unless otherwise specified:	0	30	100	300	1000	2000	4000
Measurements up to	6	30	100	300	1000	2000	4000
Tolerance	+ 0,1 ± 0,2	+ 0,3 ± 0,5	+ 0,8 ± 1,2	+ 2,0 ± 3,0			

Date/Sign.	
Rev. Grid	
Date/Sign.	03.01.2019 JJJ
Rev. Grid	

Ex information added	03.01.2019 JJJ
Date/Sign.	
Rev. Grid	
Rev. Grid	2

SAFE AREA
HAZARDOUS AREA Zone 0



NEMKO 03ATEX230
IECEX NEM 11.0008
Class I, Zone 0, [AEx ia Ga]IIC

Co gas group IIC * 0,48 μF
Co gas group IIB * 2,88 μF
Co gas group IIA * 11,6 μF

MAX NUMBER OF DETECTORS/LOOP UNITS: 20 ONLY EXI APPROVED TYPES

SAFETY DATA DETECTORS/LOOP UNITS:
Maximum input voltage $U_i=15,75V$
Maximum input current $I_i=63,5mA$
Maximum input power $P_i=0,44W$
Maximum internal capacitance $C_i=21,6nF$
Maximum internal inductance $L_i=0mH$

ALSO SEE DATASHEETS BZ-500 AND EX TYPE DETECTORS

*Ex demands: The total capacitance in the cable and C_i of the detectors must not exceed C_o . Capacitance in the cable varies with cable type. When cable type is unknown, 220pF per meter may be used as a maximum.

Due to the electrical characteristics of the barrier, cable limitations must also be followed. The limitations are:
Rcable max= 20 Ohm
Ccable max= 250nF

Certificates:
NEMKO 03ATEX218X
IECEX NEM 11.0009X
CSA 2679735

Directives and standards:

2014/34/EU (ATEX)
EN 60079-0:2012
IEC 60079-0:2012
EN 60079-11:2012
IEC 60079-11:2011
2014/30/EU (EMC)
Immunity: EN 50130-4:2011
Emission: EN 61000-6-3:2001

CAN/CSA-C22.2 No. 0-10
CAN/CSA-C22.2 No. 205-12
CAN/CSA/CSA-60079-0-11
CAN/CSA/CSA-60079-1-11
CAN/CSA/CSA-60079-11-11
CAN/CSA/CSA-C22.2 No. 60529-05

UL 464, 9th Edition
UL 60079-0, 5th Edition
UL 60079-1, 6th Edition
UL 60079-11, 5th Edition

ANSI/IEC 60529:2004
ANSI/ISA-69979-26:2011

Ex parameters:
Ⓜ II 1G Ex ia IIC T5 Ga
Class I, Zone 0, AEx ia IIC T5 Ga
 $U_i=15,75V$
 $I_i=63,5mA$
 $C_i=21,6nF$
 $L_i=0$
 $P_i=0,44W$

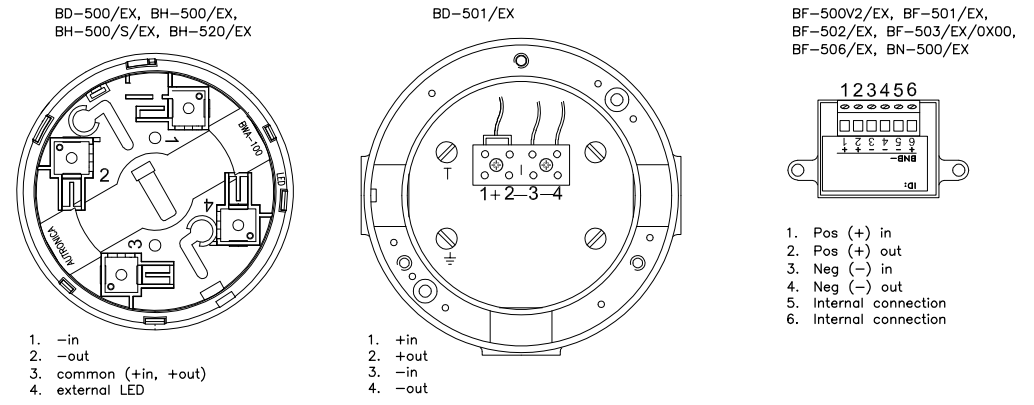
Warning: Do not rub

TYPE	Degree of protection	Working temperature	Certified temperature
BDH-500/EX	IP44D	-20°C-+80°C	-20°C-+70°C
BD-501/EX	IP56	-20°C-+80°C	-20°C-+70°C
BHH-500/EX	IP44D	-20°C-+70°C	-20°C-+70°C
BHH-500/S/EX	IP44D	-20°C-+70°C	-20°C-+70°C
BHH-520/EX	IP44D	-20°C-+70°C	-20°C-+70°C
BF-500V2/EX	IP42D/IP44D	-20°C-+70°C	-20°C-+70°C
BF-501/EX	IP66	-20°C-+70°C	-20°C-+70°C
BF-502/EX	IP66	-20°C-+70°C	-20°C-+70°C
BF-503/EX/0X00	IP66/IP67	-20°C-+70°C	-20°C-+70°C
BF-506/EX	IP66	-20°C-+70°C	-20°C-+70°C
BN-500/EX	IP54/IP67	-20°C-+70°C	-20°C-+70°C

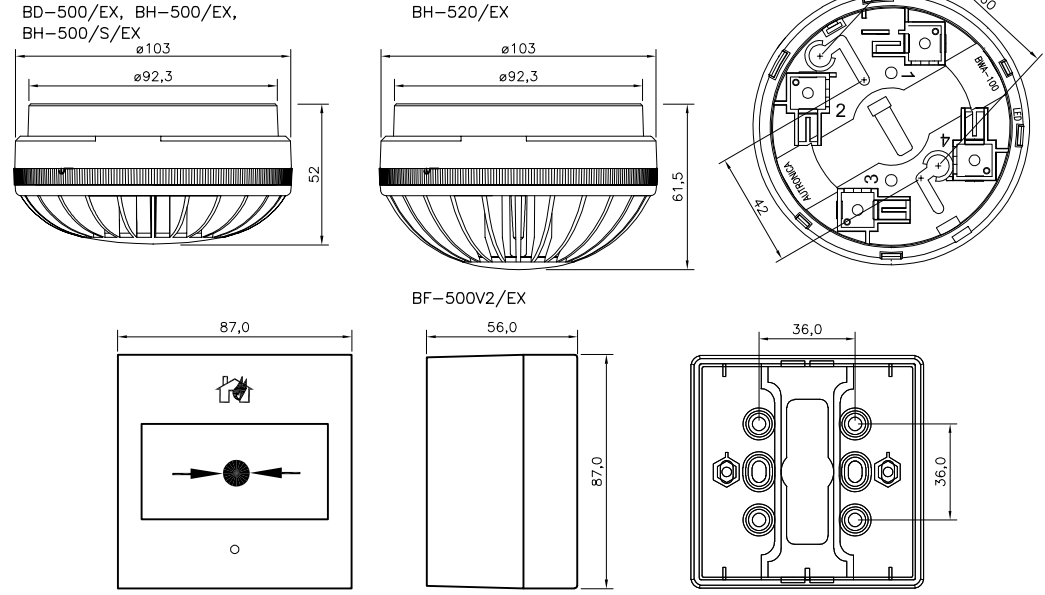
Ex -notation:
Ⓜ II 1G Ex ia IIC T5 Ga, Tamb -20°C to +70°C
II 1D Ex ia IIC T144°C Da, Tamb -20°C to +70°C
Class 1, Zone 0, AEx ia IIC T5 Ga

Schedule Drawing
No modifications permitted without reference to the Notified Body

Connections



Dimensions



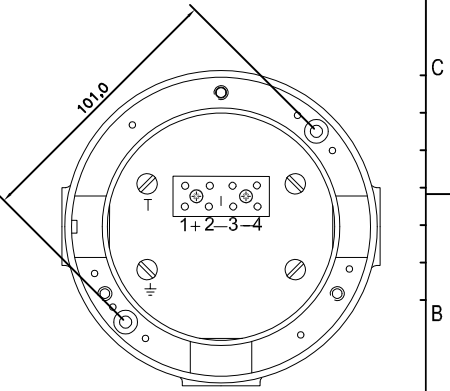
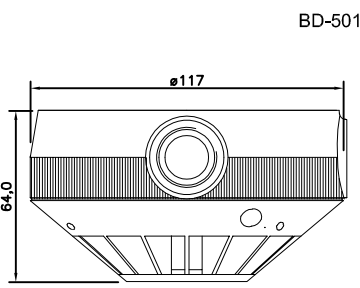
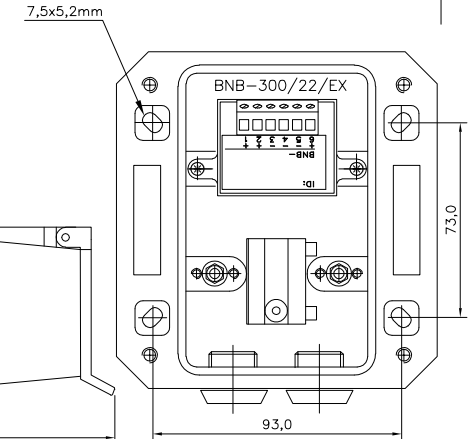
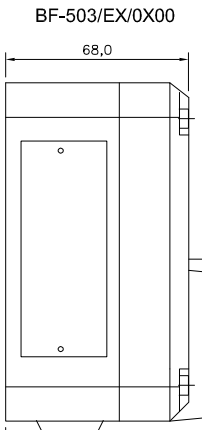
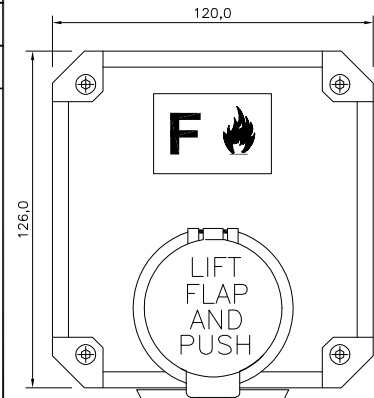
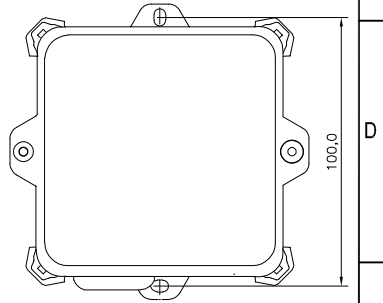
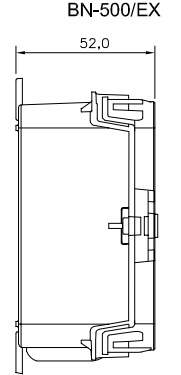
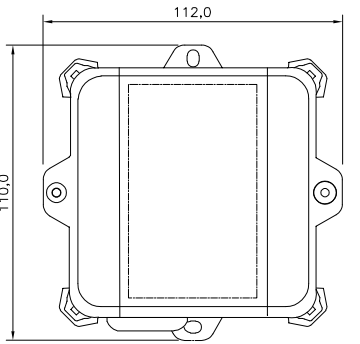
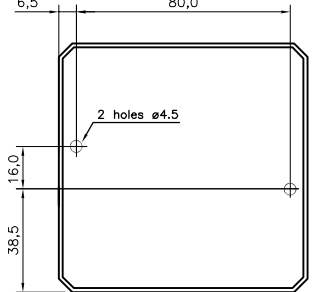
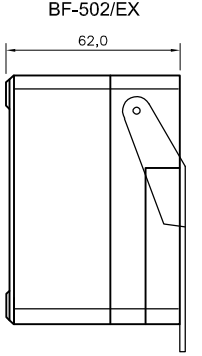
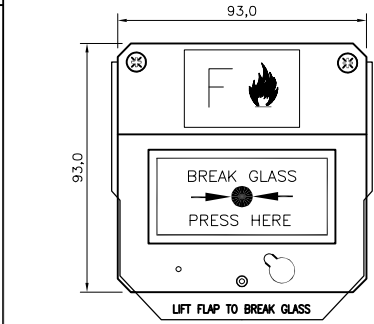
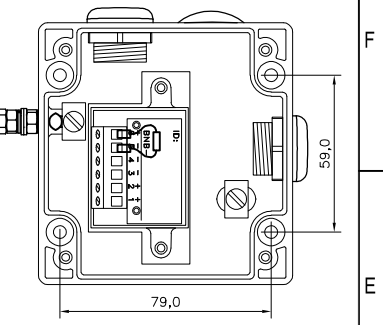
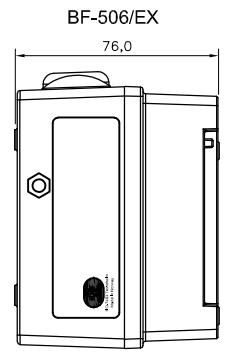
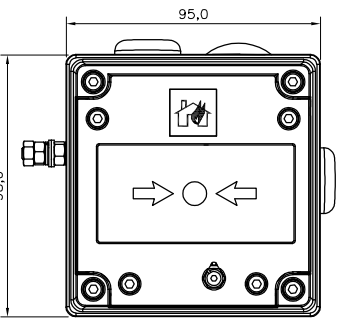
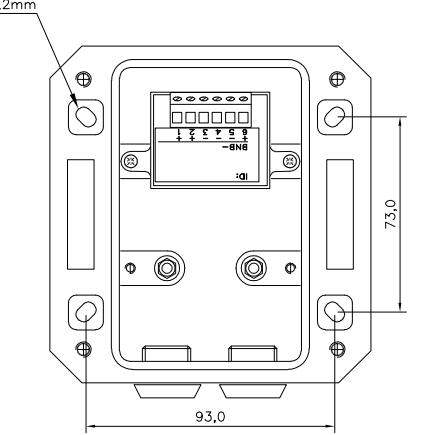
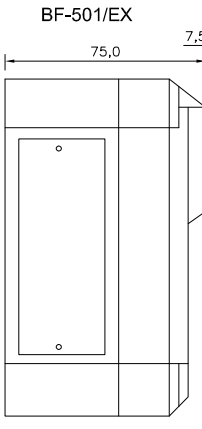
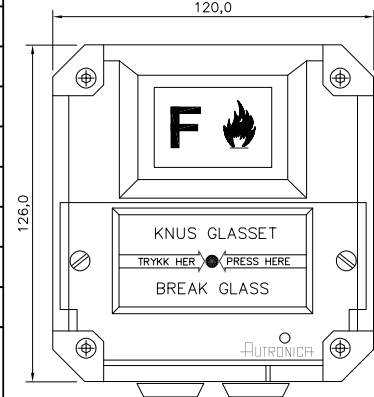
Date	13.12.2017	Dsgn/Dwn	JJJ	Scale/Format	-
Checked		Approved			
03ATEX218X/IECEX11.0009X CSA 2679735 Control Drawing/User Manual Technical specifications and instructions					
Repl. by			Repl. for		
PLM Ref	Doc-1003606	Rev.	2	Page	1 / 2

Autronica Fire and Security
NO-7483 Trondheim
Norway

Dimensions

Unless otherwise specified:	
over	0
Measurements up to	6
Tolerance	+ 0,1
	+ 0,2
	+ 0,3
	+ 0,5
	+ 0,8
	+ 1,2
	+ 2,0
	+ 3,0

Rev.	Grid	Date/Sign.	Rev.	Grid	Date/Sign.
2		03.01.2019 JIJ			
Ex information added					



Schedule Drawing
No modifications permitted without reference to the Notified Body

Date	13.12.2017	Dsgn/Dwn	JIJ	Scale/Format	-
Checked		Approved			
03ATEX218X/IECEX11.0009X CSA 2679735 Control Drawing/User Manual Technical specifications and instructions					

Autronica Fire and Security NO-7483 Trondheim Norway					
Repl. by	Repl. for				
PLM Ref	Doc-1003606	Rev.	2	Page	2 / 2