

INPUT UNIT WITH SELFVERIFY - BN-505/EXD

Interactive fire detection systems
Product Datasheet

Technical Specifications and Instructions

Features

- Interactive
- Configurable input
- Interface unit for interfacing external units, clean contacts, alarm relays, etc., onto the interactive fire detection system
- Housing of marine grade aluminium alloy
- Monitored input
- Built in short circuit isolator
- Automatic addressing
- Proven technology
- With SelfVerify function for reduced maintenance/testing and increased reliability
- Designed to meet the requirements of the major maritime classification societies
- ATEX/IECEX approved

Description / Application

BN-505/EXD is an input unit for use in hazardous area zone 1 or 2. The input unit is designed for use with the interactive fire detection system. The BN-500/EXD is suitable for interfacing of all kinds of alarm contacts onto the interactive fire detection system. It is often used as a general interface for EX approved call points etc. in order to avoid costly approvals for each type of equipment.

Applications include:

- Alarm pushbuttons
- Sprinkler contacts, etc.



Principle

Monitoring input signal level. Can be configured to operate at different levels:

- Normally open contact. Closing of contact (short circuiting of input) will give alarm. Monitored for open circuit
- Normally open contact with alarm resistor. Closing of contact (910 Ohm on input) will give alarm. Monitored for open and short circuit on input

Note:

Cannot be used with conventional heat detectors or any units requiring working voltage.

SelfVerify: the unit's ability to initiate alarm signal is regularly checked

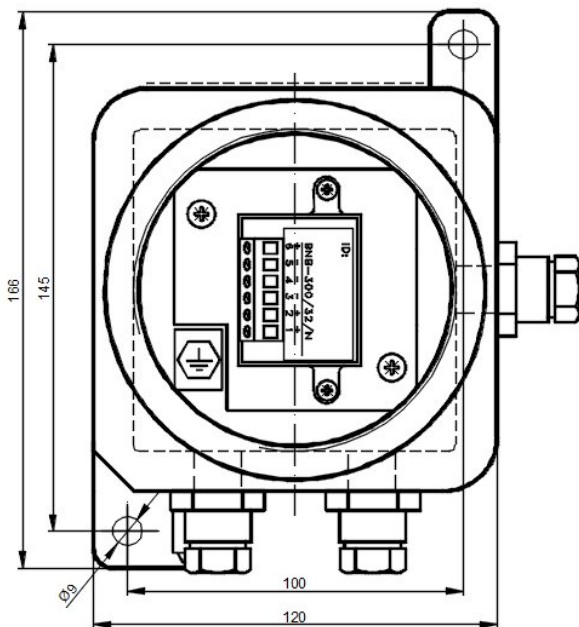
Related Drawing

No modifications permitted
without reference to the
Ex Responsible

Product Name	Part number	Description
BN-505/EXD	116-BN-505/EXD	Input unit for hazardous area

Technical specifications	
Weight	1750 g
Material	Aluminium alloy
Colour	Grey
Conduit entry	3 x M20 x 1,5 mm
Voltage	10 - 27 VDC
Current consumption Stand by:	< 0,3mA
Degree of protection	IP66
Working temperature	- 20 - + 70°C
Storage temperature	- 55 - + 70°C
Humidity (non condensing)	Max. 95% RH
Maintenance	None
Service	Replace if faulty
Type examination certificates	See website

Connections / Dimensions (mm)



1. + in
2. + out
3. - in
4. - out
5. - input
6. + input

Maintenance

- Power must be switched off before opening the enclosure
- Replace faulty units