



Mounting instructions

# FACADE PROTECTION

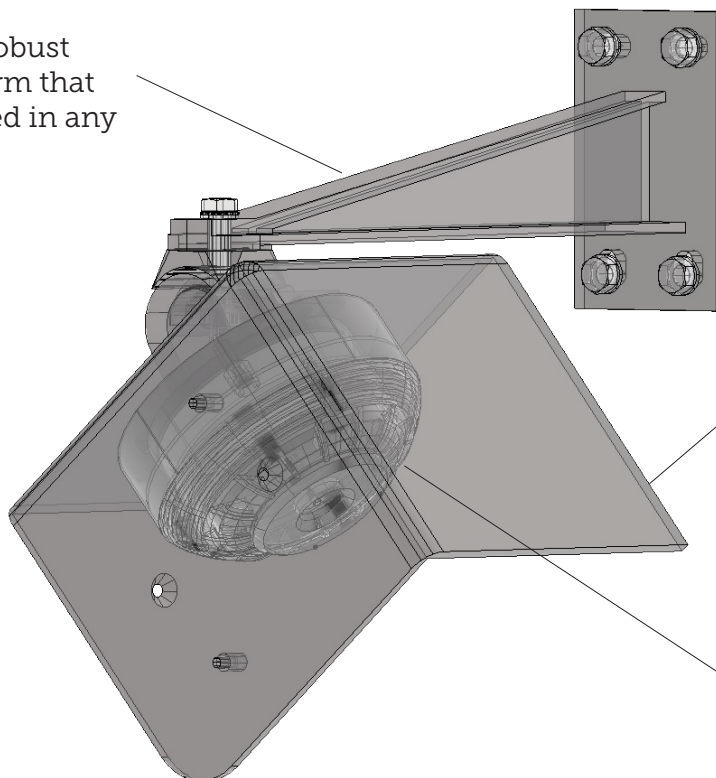
## Facade protection with AutoFlame BG-201 IR flame detector

**The flame detector is mounted on a discreet bracket protecting the detector from weather and nuisance alarm sources. The bracket also limits the detector's field of view.**

The mounting arm is adjustable. In this way, the detector's field of view can be adapted to individual needs, both horizontally and vertically. In this way, the flame detector can point to the facade only, without any disturbance from the surroundings.

## Content in package

Adjustable robust  
mounting arm that  
can be angled in any  
direction



Bracket for weather  
protection and  
limiting field of view

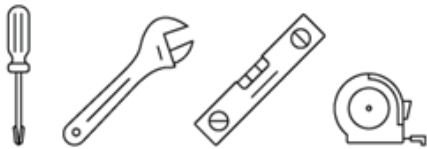
Adressable  
AutoFlame IR flame  
detector



## Facade protection kit

Complete bracket w/mounting arm, coupled with AutoFlame IR flame detector BG-201.  
116-KITD-BG-201F

## Necessary tools for mounting



Avoid electrical discharges when mounting the detector

## Projecting guidelines

Class	Detection	Ground coverage	Mounting height
Class 1	1 x 1 fot at 25 m	20 m	Max. 15 m
Class 2	1 x 1 fot at 17 m	15 m	Max 9 m
Class 3	1 x 1 fot at 12 m	10 m	Max 7 m

Table 1: Class and coverage data

**Table 1** specifies maximum heights for detector mounting. We recommend that the detector is mounted at a height of between 4 and 6 meters, for practical and coverage reasons.

Following Autronica's recommendations (table 1) gives a minimum of 2 meters coverage from the bottom of the wall and upwards.

**If the distance between the detector and a potential fire is doubled, the signal must be quadrupled (50m requires 4x4 feet in class 1).**

Rule of thumb: If you see the sensor, the sensor can see you.



### Facade protection kit

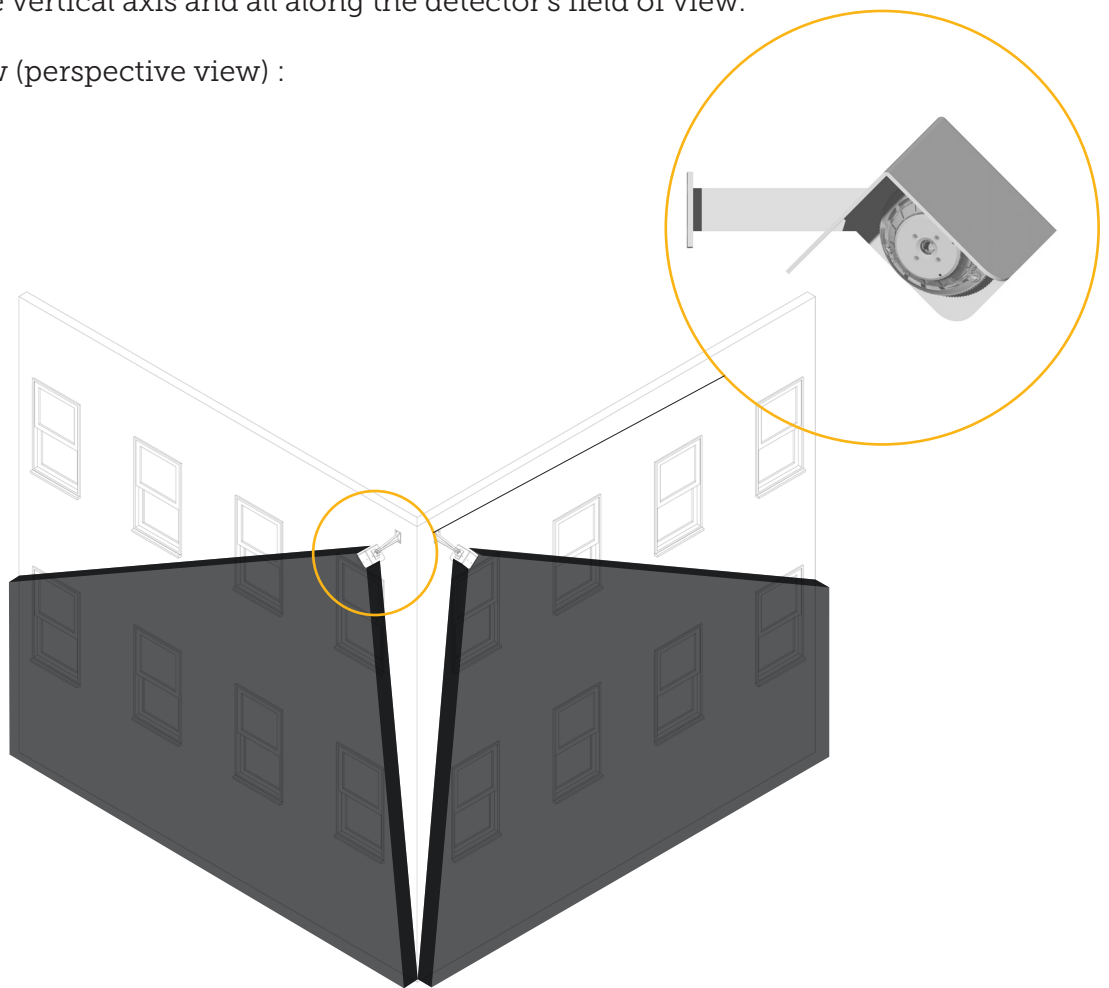
Complete bracket w/mounting arm, coupled with AutroFlame IR flame detector BG-201.  
116-KITD-BG-201F

## Recommended mounting (Horizontal)

The facade protection solution is best applied by tilting the bracket 50° downwards and up to 45° inwards (direction wall).

A 45° angle ensures that the outer line of view runs along the wall. This ensures a protected area from behind the vertical axis and all along the detector's field of view.

See illustration below (perspective view) :





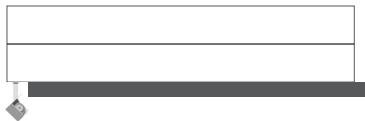
### Facade protection kit

Complete bracket w/mounting arm, coupled with AutoFlame IR flame detector BG-201.  
116-KITD-BG-201F

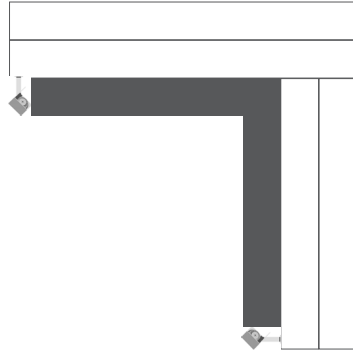
A facade protection kit covers up to 20 meters of a wall. The ground coverage depends on the mounting of the detectors as shown in Table 1.

See examples below (top view of buildings):

Example 1



Example 2



Example 3



Example 4



Example 5







### Facade protection kit

Complete bracket w/mounting arm, coupled with AutroFlame IR flame detector BG-201.  
116-KITD-BG-201F

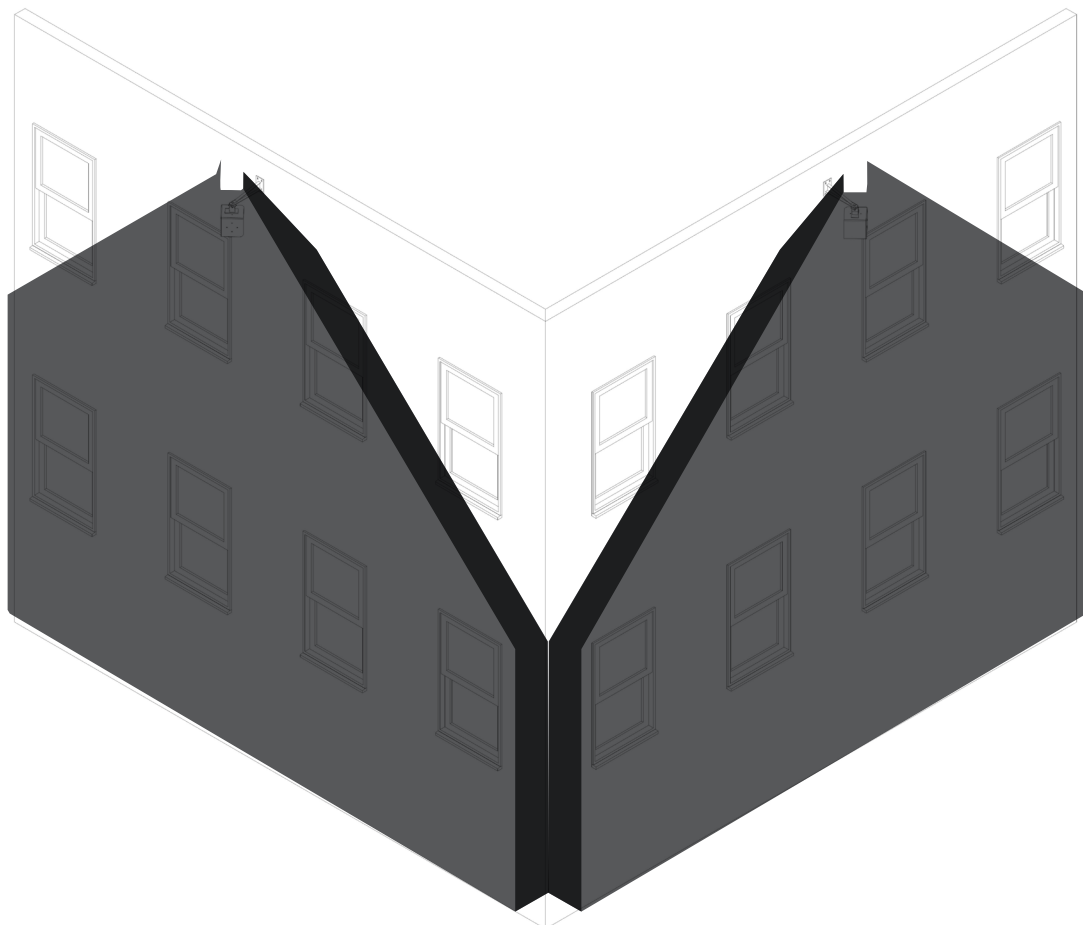
## Alternative mounting (Vertical)

The facade protection solution can also be mounted with a vertical center line. The coverage area of the ground on each side of the center line will then be equal to the mounting height.

The formula is as follows:

**Ground coverage area (m) = (mounting height x 2) – 4**

For example, a 6 meter mounting height will give 12 meters of ground coverage along the facade. To meet our safety criteria, 2 meters on each side must be subtracted, providing a total coverage of 8 meters in this example.



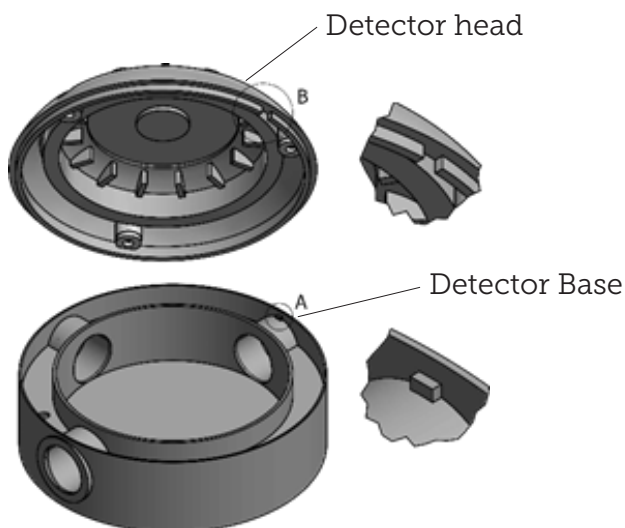


### Facade protection kit

Complete bracket w/mounting arm, coupled with AutroFlame IR flame detector BG-201.  
116-KITD-BG-201F

## Assembly instructions

Attach the bracket to the mounting arm with the supplied screws, washers and nuts. Attach the detector base to the bracket before attaching the detector head to the detector base.



**NOTE!** There is a mark in the plastic that indicates the detector's 30° field of view. This must point in the direction from the wall towards the inside of the bracket.

### NOTE!

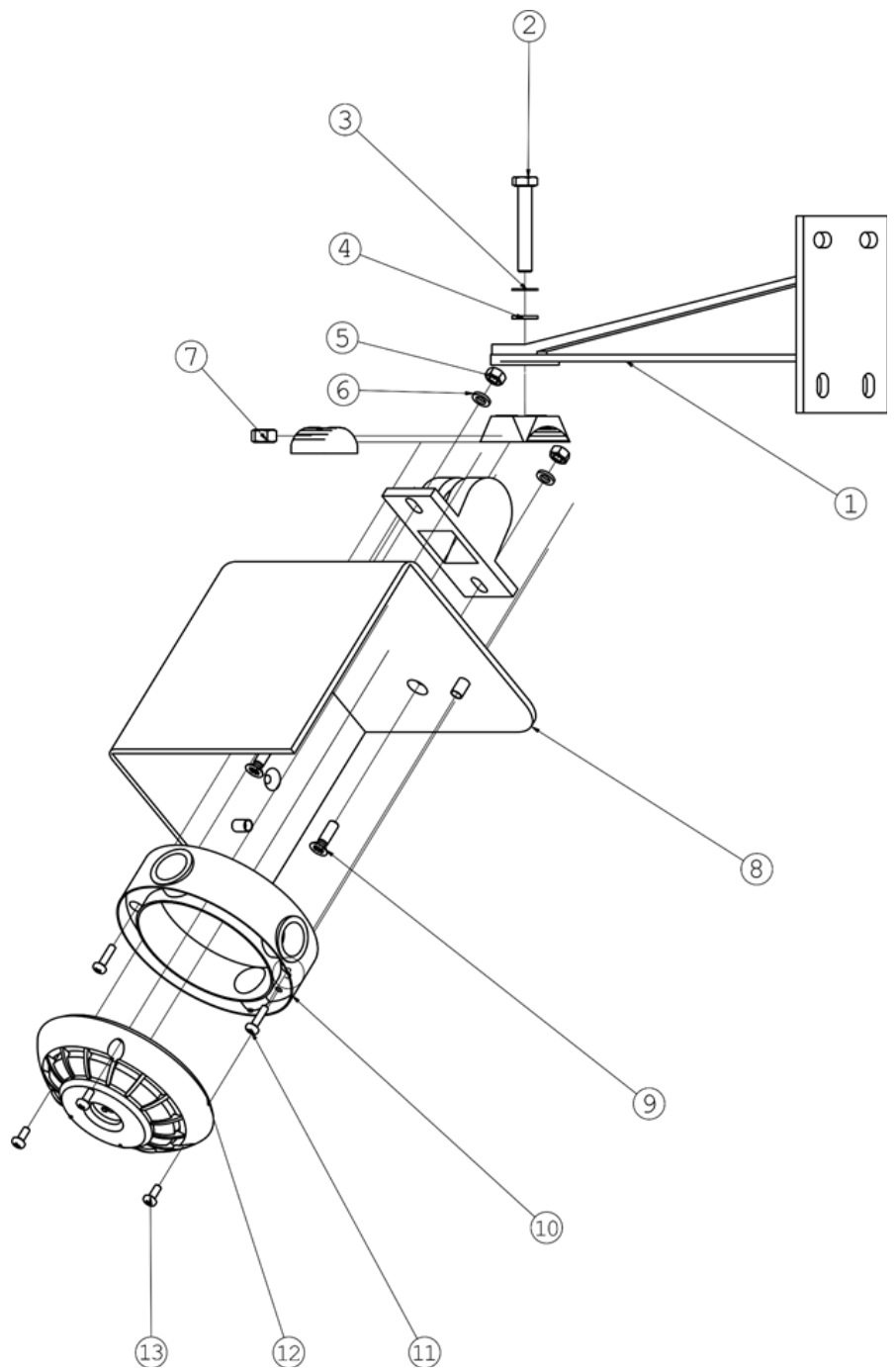
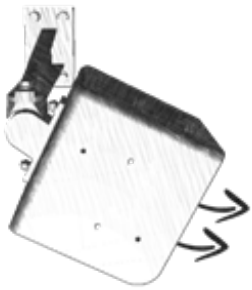
The ONLY way to properly mount the detector head to the detector base is to make sure that points A and B fit together.



### Facade protection kit

Complete bracket w/mounting arm, coupled with AutroFlame IR flame detector BG-201.  
116-KITD-BG-201F

## Right hand mounting



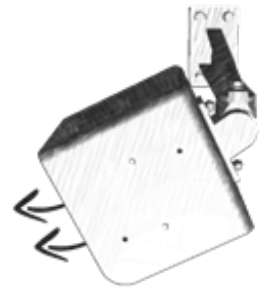
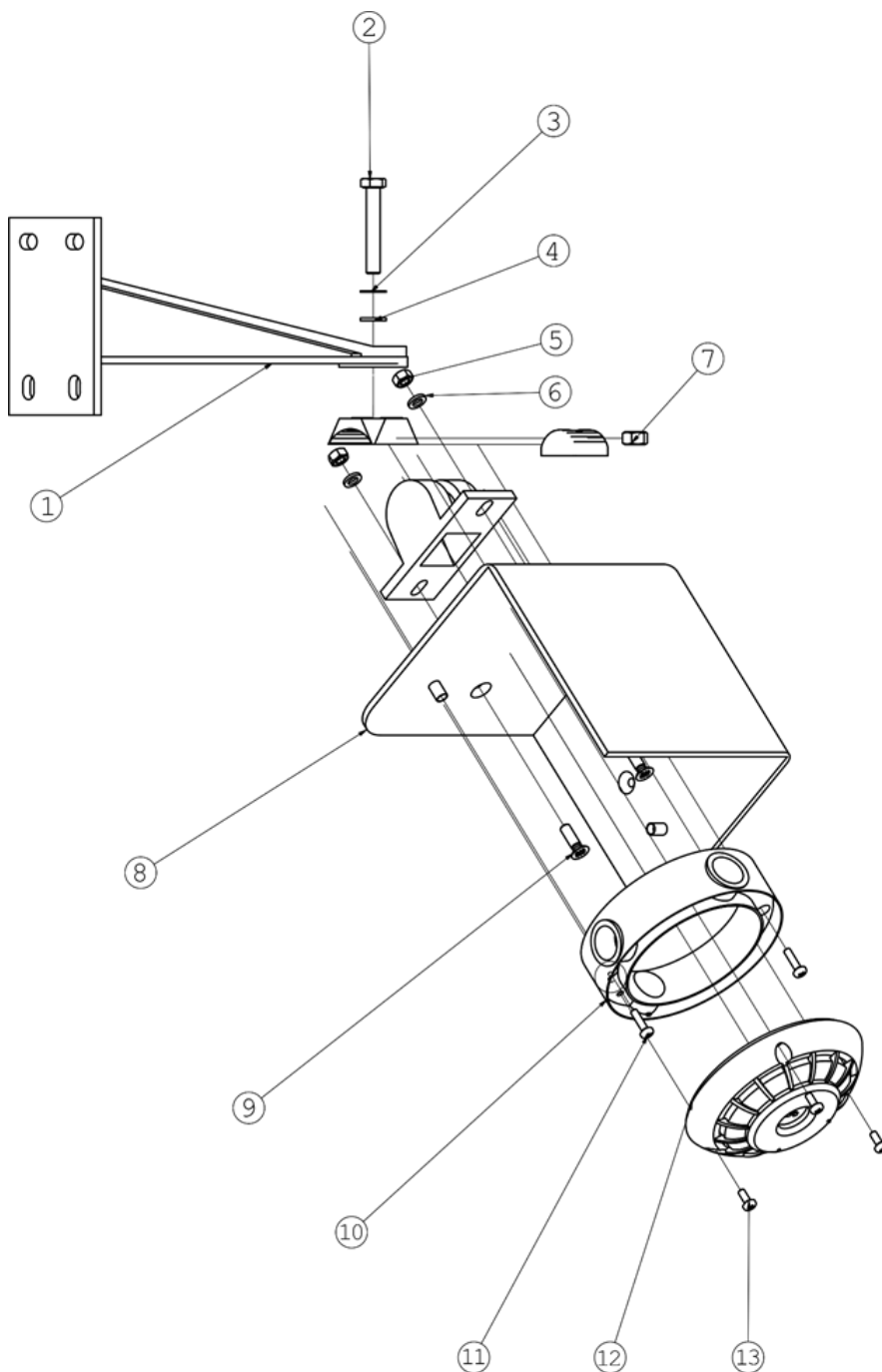
No.	Amount	Name
1	1	Mounting arm
2	1	Screws M8 x 1 x 50
3	1	Lock Washer
4	1	Washer ST8
5	2	Nut M6
6	2	Washer ST6
7	1	Nut M8
8	1	Bracket
9	2	Screw M6 lowered
10	1	Detector base
11	2	Screw M4 x 16 x 4.8
12	1	Detector head
13	3	Screw M4 x 10 x 4.8



### Facade protection kit

Complete bracket w/mounting arm, coupled with AutroFlame IR flame detector BG-201.  
116-KITD-BG-201F

## Left hand mounting



No.	Amount	Name
1	1	Mounting arm
2	1	Screws M8 x 1 x 50
3	1	Lock Washer
4	1	Washer ST8
5	2	Nut M6
6	2	Washer ST6
7	1	Nut M8
8	1	Bracket
9	2	Screw M6 lowered
10	1	Detector base
11	2	Screw M4 x 16 x 4.8
12	1	Detector head
13	3	Screw M4 x 10 x 4.8