

AUTROMASTER PC-12M

AutroMaster ISEMS Product Datasheet

Features

- Marine server/computer
- IEC 60945, DNV 2.4. IAC-E10 certified
- Industrial Chassis
- Industrial long life Serverboard, Supermicro X9SRA



Description / Application

The AutroMaster PC-12M is a PC with maritime approvals that can be used for any AutroMaster ISEMS 4.x application.

It can be mounted horizontally using the horizontal mount kit.

For rack mounting we recommend the rack mount sliders.

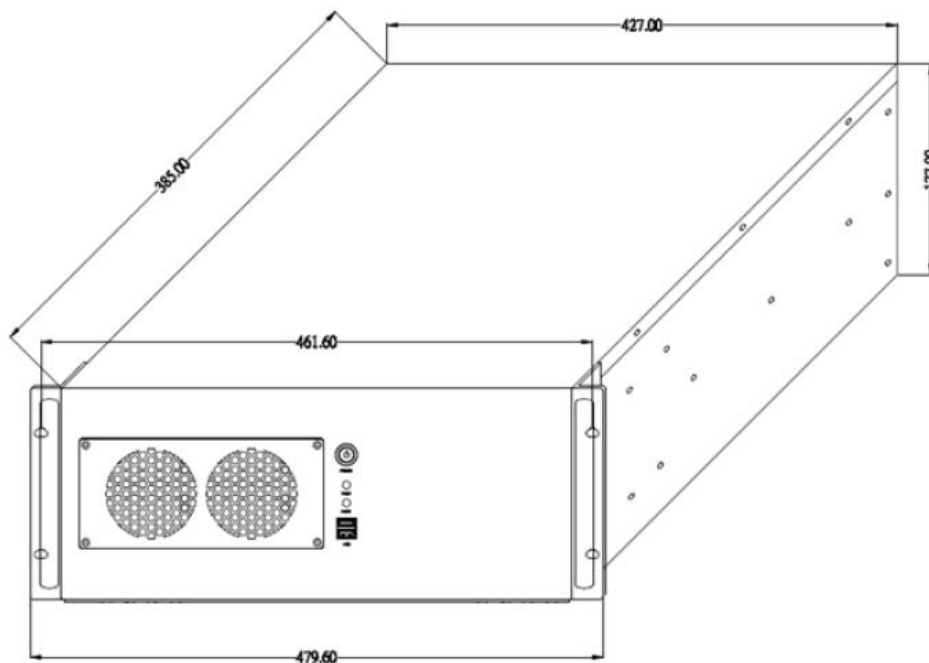
For vertical mounting we have the vertical mount kit.

The kits are described in this data sheet.

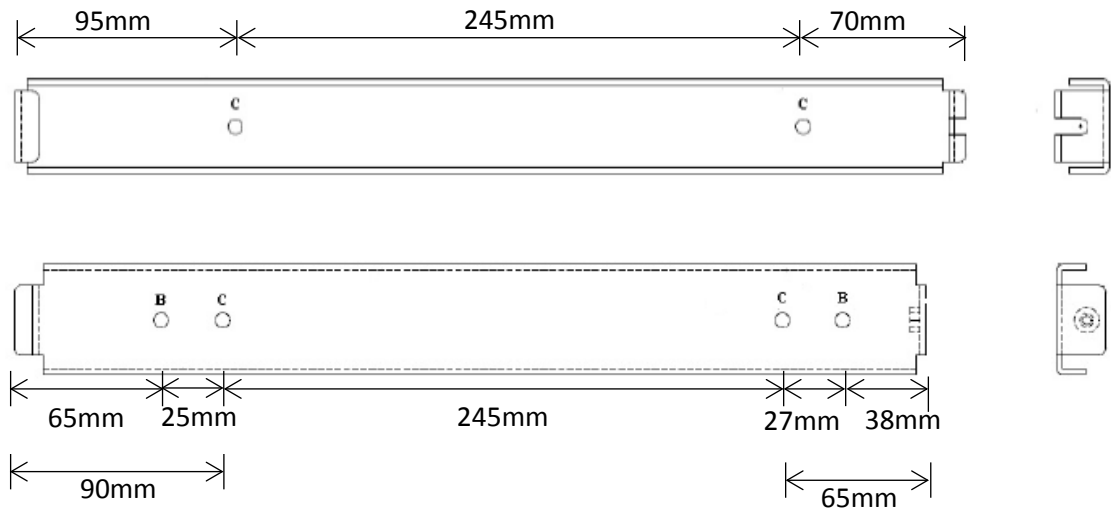
Product Name	Part number	Description
AutroMaster Desktop PC-12M	116-AUTROMASTER-PC-12	AUTROMASTER DESKTOP PC
Accessories		
Horizontal mounting kit	116-5151-017.0021	PC12M HORIZONTAL MOUNT KIT
Vertical mounting kit	116-5151-017.0022	PC12M VERTICAL MOUNT KIT
Rack mounting kit	116-5151-017.0020	PC12M RACK MOUNT KIT
	116-5151-020.0400	Mouse
	116-5151-017.0002	Keyboard (English)

Technical specifications	
Operating temperature	-15°C to +55°C
Storage temperature	-20°C to +70°C
Weight	15,8 kg
Humidity	Maximum 95%
Processor	Single Socket R (LGA 2011) Intel® Xeon® E5-2609 Intel® C602 chipset
RAM	4 GB
Serial ports	6 RS-232
Other ports	DVI, HDMI and VGA 2 x Gbit Ethernet

Dimensions PC

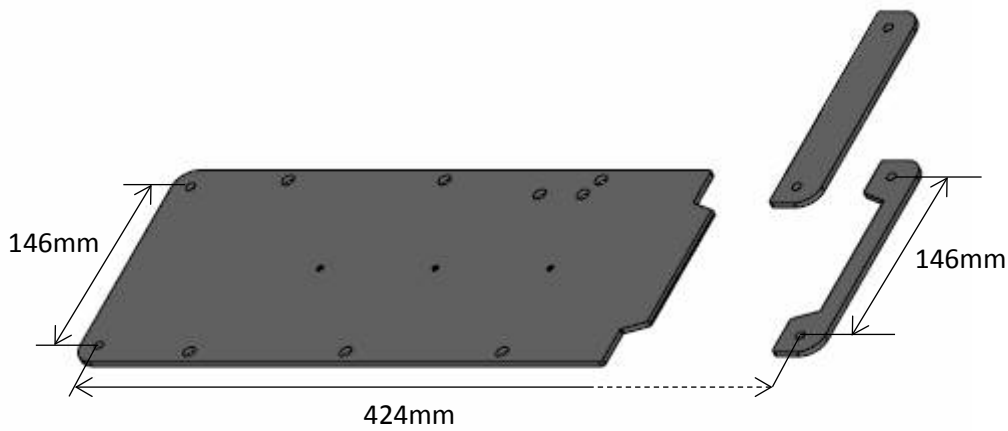


PC-12M Horizontal Mount Kit



PC-12M Vertical Mount Kit

Bracket for vertical mount as a tower configuration.



PC-12M Rack Mount Kit

Rack mount sliders for PC12M, for easy access and service when mounted in 19-inch racks.

