

Features

- System-accommodated cabinet
- Lockable/unlockable by means of standard fire key
- Minimum flush mounting depth
- LEDs for zone indication (BV-310)

Applications

The documentation cabinet is a black-varnished steel cabinet with a lockable steel door. The cabinet is used to keep documentation, including orientation plans / escape routes etc. The inside of the cabinet is sized for leaf books (A4 format). A standard fire key can be used to lock/unlock the cabinet.



BV-310

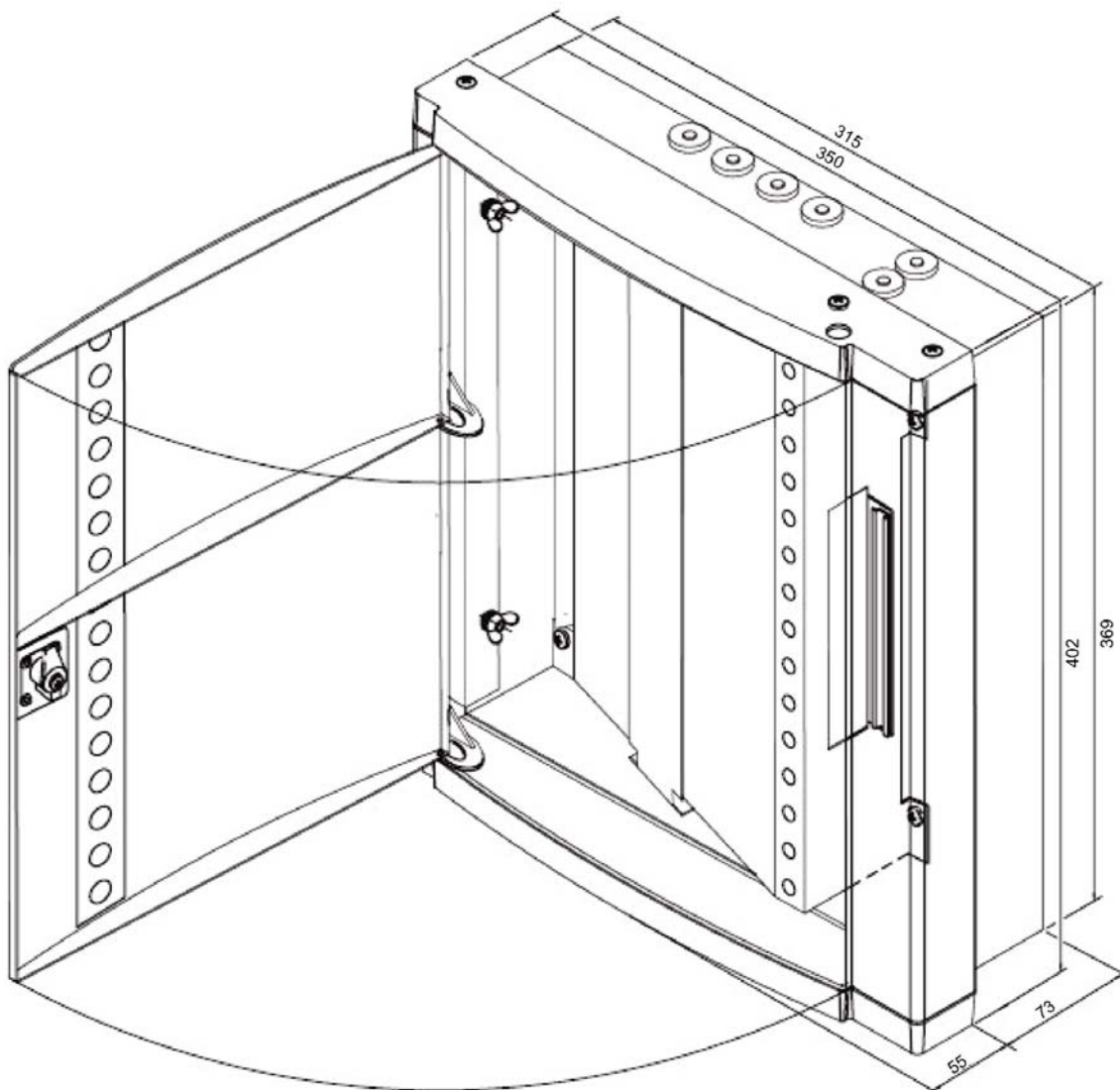


BV-311

Technical specifications	
Dimensions	402 x 350 x 125 mm
Internal dimensions	340 x 240 x 91 mm
Flush mounting depth	70 mm
Weight	Ca. 5 kg
Materials	Steel

Part number	Description
116-BV-310/16	Cabinet for 16 cards
116-BV-311	Cabinet for drawings

Dimensions



AUTRONICA FIRE AND SECURITY AS

Fire and Security, Trondheim, Norway Phone: +47 73 58 25 00, Fax: 73 58 25 01, e-mail: info@autronicafire.no

Oil and Gas, Stavanger, Norway Phone: +47 51 84 09 00, Fax: +47 51 84 09 99

Maritime division, Spikkestad, Norway Phone: +47 31 29 55 00, Fax: +47 31 29 55 01

Visit Autronica Fire and Security AS' website: www.autronicafire.com