

Manual call point CXL/BF-20L

Conventional fire detection systems

Product datasheet

Features

- Proven design approved to EN 54-11
- Secure and convenient clip fit cover
- Use of glass or plastic resettable element without modification
- Superior LED alarm identification

Applications

Manual call-point for use in dry areas.

Principle

Gives alarm when the glass is broken. Reset when a new glass is mounted. Can be tested by means of a special test key. Optional re-settable plastic element is included. This element can be re-used after alarm activation. Reset with test key.



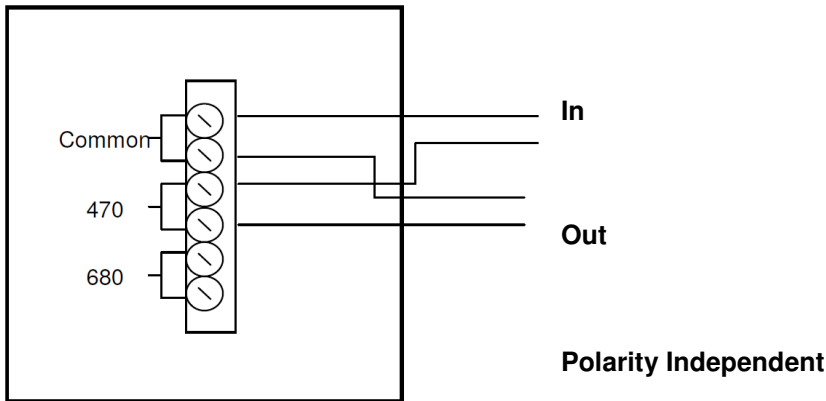
Versions

CXL/GP/R/BB *Standard Version*

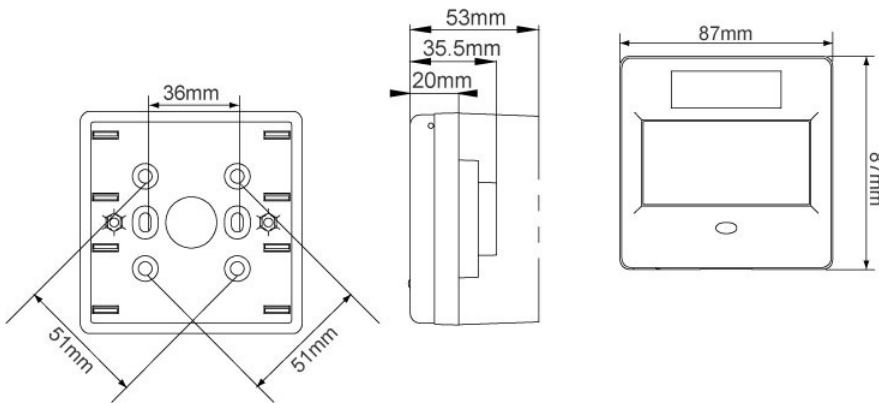
Technical specifications	
Weight	200 g
Materials	ABS FR
Colour	Red
Voltage	14 VDC +/- 2 V
Current consumption	
Normal	0 mA
Alarm	>30 mA
Environmental requirements	Acc. to EN 54-11
CPD certificate	0832-CPD-0625
Degree of protection	IP42
Working temperature	- 25°C to + 55°C
Humidity (non-condensing)	Max. 95% RH
Maintenance	Normally none
Service	Replace if faulty

Part number	Description
116-CXL/BF-20L	MCP FOR BX-10/BX-40
116-4860-011.0100	Optional polycarbonate cover
Accessories	
116-4860-011.0100	Polycarbonate cover
116-CXBZ	BEZEL
116-BFG-3	Glass element

Connections



Dimensions



AUTRONICA FIRE AND SECURITY AS

Head office, Trondheim, Norway Tel: +47 73 58 25 00, fax: +47 73 58 25 01, e-mail: info@autronicafire.no
 Oil and Gas division, Stavanger, Norway Tel: +47 51 84 09 00, fax: +47 51 84 09 99
 Maritime division, Spikkestad, Norway Tel: +47 31 29 55 00, fax: +47 31 29 55 01

Visit Autronica Fire and Security AS' website: www.autronicafire.com