

Battery Replacement

It can be done only by a competent person and after the mains interruption.

1. Follow step 1 of the installation instructions and remove the diffuser.
2. Follow step 2 of the installation instructions and remove the reflector.
3. Remove the old battery and place a new one of the same type and characteristics.
4. Replace the removed parts (previous steps 1 and 2).

Manual Test



1

NOTE: LED= Light Emitting Diode

LABELING EXPLANATION:

X: Self contained

1: Maintained operation (*)

A: Including test device

F: Automatic test gear complying with IEC 61347-2-7 denoted EL-T

G: Internally illuminated safety sign

60: 1 hour duration

(*) **Maintained operation:** The luminaire lights its illumination source, when it is powered by the mains power supply or not.

Non Maintained operation: The luminaire lights its illumination source, only in mains power supply's failure.

NOTE!! The installer should fill in, on the specification label, the letter **G** if the luminaire is used as a safety sign.



ATTENTION!!

The light source contained in this luminaire shall only be replaced by the manufacturer, or his agent, or a similar qualified person.

NOTE!! The light source is non-user replaceable.



CAUTION : Do not view directly with bare eyes.

Technical Characteristics

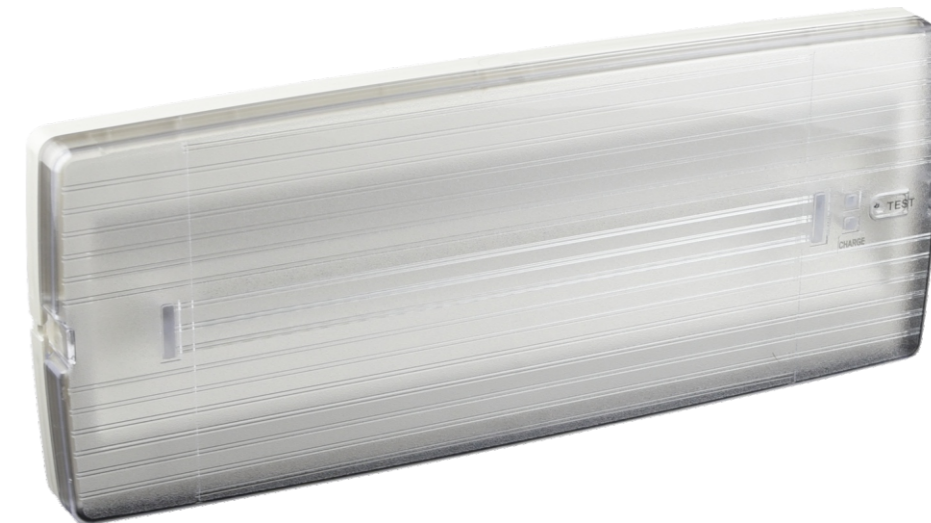
116-GR-370/LF	
OPERATION VOLTAGE	220-240V AC / 50-60Hz
MAXIMUM POWER CONSUMPTION	4.8W / 5VA
SUPPLY CURRENT	22.3mA
U-OUT	22V
Prated	2W
Irated	174mA
MAX OPEN CIRCUIT VOLTAGE	22V
WIRE CROSS SECTION	0.5mm ² - 2.5mm ²
MINIMUM POWER FACTOR	0.91
BATTERY (LiFePO ₄)	3.2V/2 Ah
INSULATION BETWEEN SUPPLY & CONTROL TERMINALS	Basic insulation
BATTERY PROTECTION	Deep discharge and overcharge protection / the control gear will recharge the battery normally after the test of 22.3
MIN MAX. DISCHARGE VOLTAGE	3.4-5.6V
MIN MAX. DISCHARGE CURRENT	725-1030mA
MIN MAX. CHARGE CURRENT	0-200mA
MAX CHARGE VOLTAGE	5.6V
INDICATIONS	LED Charge, Lamp Fault LED, Battery Fault LED
CHARGE TIME	16 hours
MINIMUM DURATION	1 h
LIGHT SOURCE	28 white LEDs
LIGHT SOURCE LUMINOUS FLUX (MAINS / EMERGENCY)	300lm / 350lm
DEGREES OF COVER PROTECTION	IP40
PRODUCED IN ACCORDANCE WITH	EN 60598-1, EN 60598-2-22, EN 55015, EN 61547, EN 61000-3-2, EN 61000-3-3
VIEWING DISTANCE (as safety sign)	26m
OPERATION TEMPERATURE RANGE	5 to 40 °C
CONTROL GEAR MAX. TEMPERATURE:tc	54 °C at U10
RELATIVE HUMIDITY	Up to 95%
CONSTRUCTION MATERIAL	ABS/PC, PC
EXTERNAL DIMENSION (L x W x H)	270 x 147 x 48 mm
WEIGHT	600gr.
GUARANTEE	10 years
CONTROL GEAR WITH AUTOMATIC TEST FUNCTION	EL-T

LED Characteristics

116-GR-370/LF	
MANUFACTURER	Olympia Electronics S.A.
MODEL NUMBER	0411195
VOLTAGE RANGE	10-12V DC
NOMINAL POWER	2W
CONNECTIONS	Fixed connection between main pcb and led module
TEMPERATURE (tc)	50 °C max. across the board



AUTRONICA FIRE AND SECURITY AS
BROMSTADVEIEN 59
7047 TRONDHEIM
NORWAY



116-GR-370/LF

MAINTAINED EMERGENCY LUMINAIRE



Package Contents

- 1 Luminaire
- 1 Set of Pictograms
- 1 Mounting accessories
- 1 Manual

General

This device is used indoors (ta 40°C) in places where emergency light is needed. Each device must be permanently connected to mains power supply. In normal operation the battery is charging. In case of a mains power supply failure, the device enters emergency mode and the illumination LED turns on. When the mains power supply is restored the device turns to normal operation.

Battery Charging

The battery charging is completely controlled by microprocessor and is protected from complete discharge and overcharge.

Battery Cut-off

The luminaire enters in this mode when the mains power supply fails and battery is depleted. During this mode the luminaire enters the idle state and battery consumption is negligible, in order to be protected from deep discharge.

Manual Test

The manual test can be conducted only if the main power supply and the battery is connected (the battery must be charged). Firstly, remove the diffuser and then by pressing the test button briefly an operation test is initiated.

Automatic Functional Test

This test is conducted automatically every 15 days. In order to be performed, the mains power supply and the battery should be connected. The light source and the emergency circuit of the device are tested.

Automatic Duration Test

The Automatic Autonomy Test tests the device's back up operation and emergency duration. This test is conducted automatically every 6 months. In order to be performed, the mains power supply should be connected and the battery must be fully charged. If the battery is not fully charged, the test is postponed until the battery is completely charged. If during this test, the autonomy is less than nominal then the battery fault LED will permanently be on and the battery must be replaced.

Back Up Operation

The autonomy duration of the battery during emergency mode must be at least as the one stated in the list of the technical characteristics.

ATTENTION!!!

1. Operations for installation, maintenance or testing must be done by authorized personnel only.
2. The device must be connected to the mains power supply through a circuit breaker that depends on the total line's power load.
3. In case of battery or led strip replacement, it must be replaced by the same type, by the manufacturer or a competent person.
4. In case of inactive use for a period greater than 2 months, disconnect the battery by pulling out the battery's connector.
5. **It is not allowed to discard batteries into common trash bins, they must be discarded only in battery recycling points. Do not incinerate.**

Indication LED status (mains on)

Charge

On: Fully charged.

Off: No battery (No charging current or disconnected battery or emergency mode).

Blink: Charging.

Lamp Fault

On: Faulty LED.

Off: LED OK.

Blink: Functional Test.

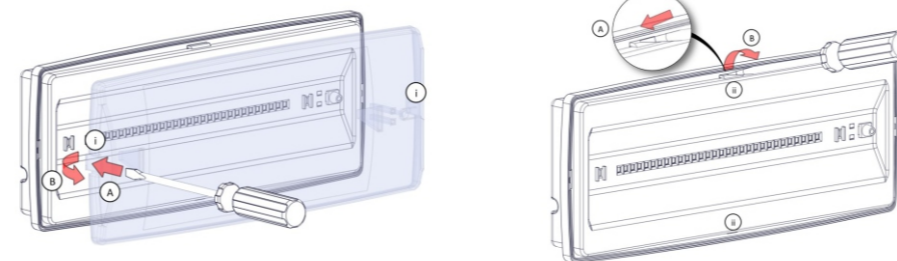
Batt. Fault

ON: Autonomy or low battery problem (the battery must be replaced).

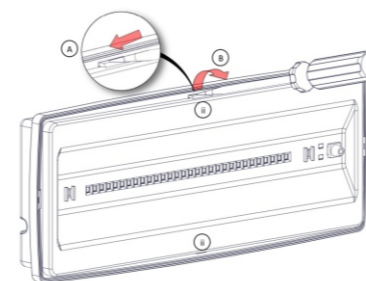
Off: Battery OK.

Blink: Duration test is performed.

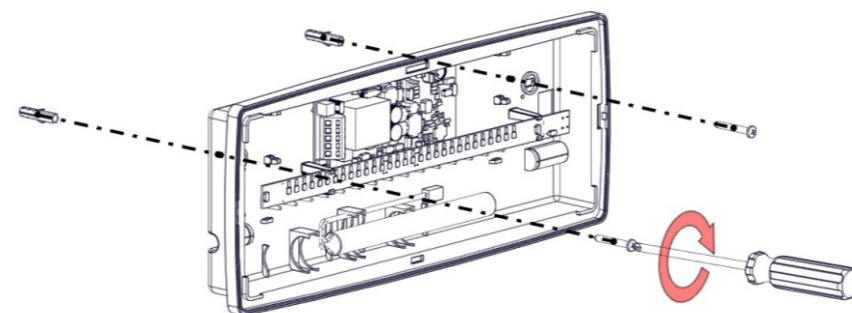
Installation Instructions



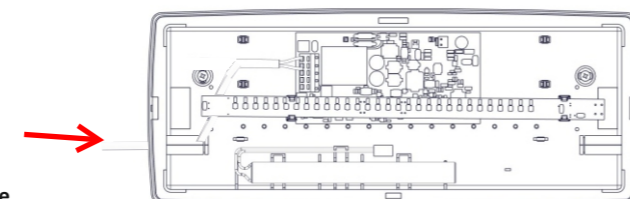
1



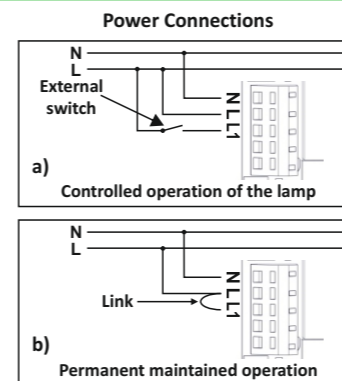
2



3



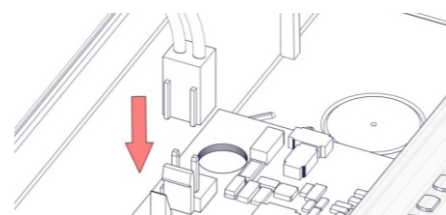
4



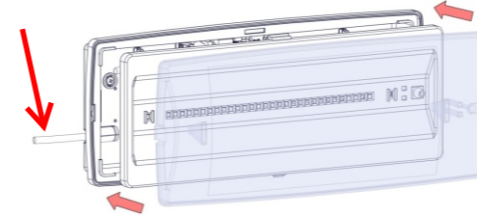
N for neutral, L for live wire and L1 for the maintained operation.

Install the included tie (if needed) to fasten securely the power cables. Always use in any case round mains cable, with a diameter of 5-10mm (H05RN-F type 2x1mm² or any other type, at least equal to it's mechanical and electrical properties). **ATTENTION!! The cable must not be deformed in any way (This requirement is important to ensure the IP rating).**

Battery Connection



5



6

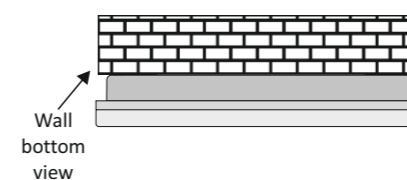
NOTE!!

After finishing the installation you must power the luminaire for at least 24 hours in order to completely charge the battery. The rated autonomy duration can be achieved after that time.

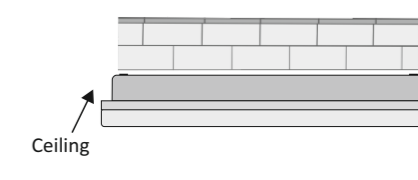
Pictogram Installation



Mounting Methods



Wall installation



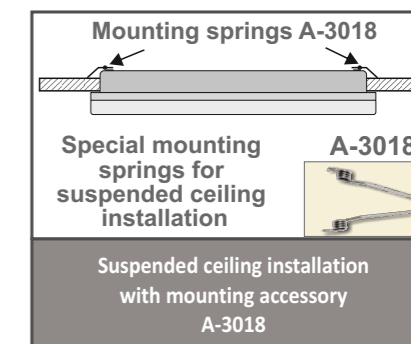
Ceiling installation

GR-370 luminaires can be surface mounted on walls or ceilings. For these mounted installations, special accessories are included.

Extra Mounting Methods *

* **ATTENTION!!!** The mounting methods below can be done after request of the necessary mounting accessories!!

Suspended installation with A-3018 accessory
The luminaire can be installed in a suspended ceiling.



A marking panel (SP-116) can be installed on the luminaire pointing the desired direction.

